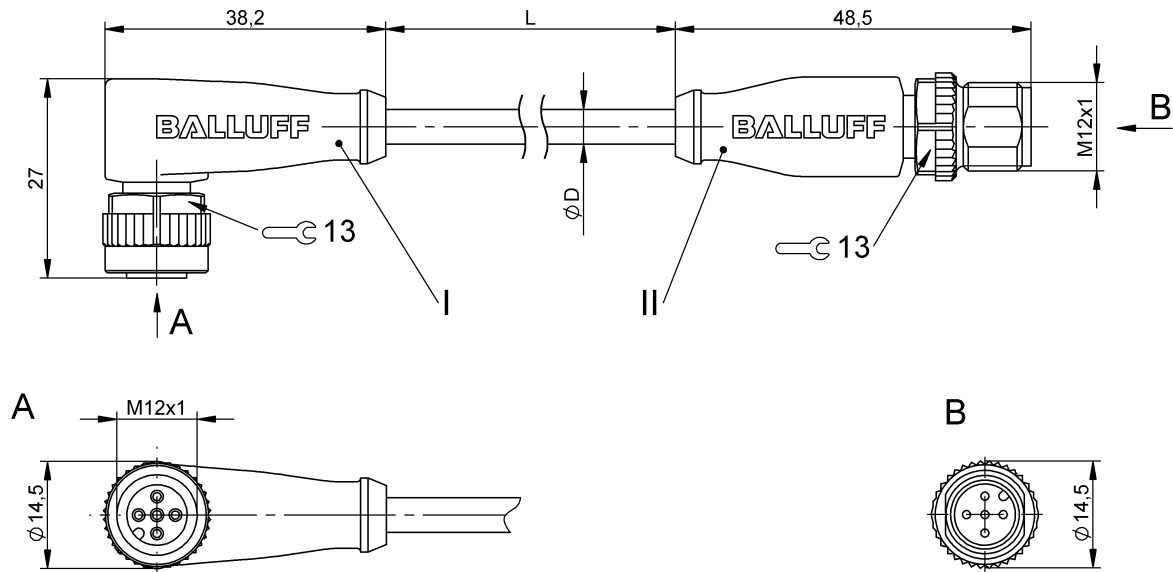


Double-Ended Cordsets  
**BCC M425-M415-3A-661-PW0534-030**  
**Order Code: BCC0C0U**

**BALLUFF**



**Basic features**

<b>Application</b>	Welding area
<b>Approval/Conformity</b>	CE cULus WEEE

**Display/Operation**

<b>Function indicator (Pin 2)</b>	LED white
<b>Function indicator (Pin 4)</b>	LED yellow
<b>Power indicator</b>	LED green/no

**Electrical connection**

<b>Bending radius min., fixed cable</b>	5 x D
<b>Bending radius min., flexible cable</b>	10 x D
<b>Cable</b>	PUR welding spark resistant black, 3 m, drag chain compatible
<b>Cable diameter D</b>	4.70 mm ±0.10 mm
<b>Cable, bending cycles min.</b>	10 mil.
<b>Cable, torsion stress</b>	±360°/m
<b>Conductor cross-section</b>	0.34 mm <sup>2</sup>
<b>Connection 1</b>	M12x1-Female, angled, 5-pin, A-coded
<b>Connection 2</b>	M12x1-Male, straight, 5-pin, A-coded
<b>Number of conductors</b>	5
<b>System</b>	Molded/Molded

**Electrical data**

<b>Operating voltage U<sub>b</sub></b>	30 VDC
<b>Rated current (40 °C)</b>	4.0 A

**Environmental conditions**

<b>Cable temperature UL max., fixed routing</b>	80 °C
<b>Cable temperature UL max., flexible routing</b>	80 °C
<b>Cable temperature, drag chain</b>	-25...60 °C
<b>Cable temperature, fixed routing</b>	-50...90 °C
<b>Cable temperature, flexible routing</b>	-25...90 °C
<b>IP rating</b>	IP67, IP68, IP69K/IP67, IP68, IP69K

**Interface**

<b>Switching output</b>	PNP NO/NC antivalent
-------------------------	----------------------

**Material**

<b>Cable jacket material, note</b>	welding spark resistant
<b>Cable jacket, material</b>	PUR
<b>Material contact carrier</b>	PUR/PUR
<b>Material contacts</b>	Bronze/Brass
<b>Material cover nut</b>	Die-cast zinc/Die-cast zinc
<b>Material grip</b>	PUR/PUR

Double-Ended Cordsets  
**BCC M425-M415-3A-661-PW0534-030**  
**Order Code: BCC0C0U**



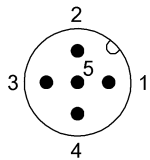
**Mechanical data**

<b>Acceleration max., drag chain</b>	5 m/s <sup>2</sup>	<b>Horizontal travel permitted, drag chain</b>	5 m
<b>Cable jacket, color</b>	black	<b>Tightening torque pigtail</b>	0.6 Nm/0.6 Nm
<b>Cable length L</b>	3.00 m	<b>Traverse speed max., drag chain</b>	200 m/min
<b>Cable properties</b>	drag chain compatible	<b>Vertical travel permitted, drag chain</b>	2 m

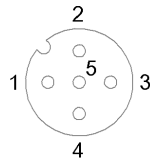
**Remarks**

Cable construction acc. to UL-AWM Style 20549  
 Halogen-free per DIN VDE 0472 Part 815  
 Silicone-free  
 Flame resistance per UL FT2  
 Enclosure rating per IEC 60529 or 20653, only in screwed state with the associated mating piece.

**Connector Drawings**

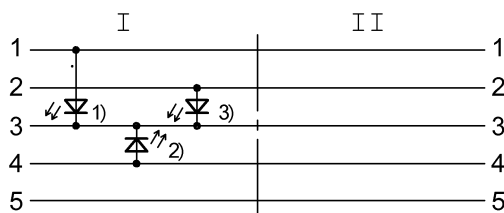


II  
 PIN 1: brown  
 PIN 2: white  
 PIN 3: blue  
 PIN 4: black  
 PIN 5: green/yellow



I  
 PIN 1: brown  
 PIN 2: white  
 PIN 3: blue  
 PIN 4: black  
 PIN 5: green/yellow

**Wiring Diagrams**



- 1) Green LED = Power
- 2) Yellow LED = Function
- 3) LED white = Function